

**DYNAMO 750W LUN 2111.1**

type 9082112

---



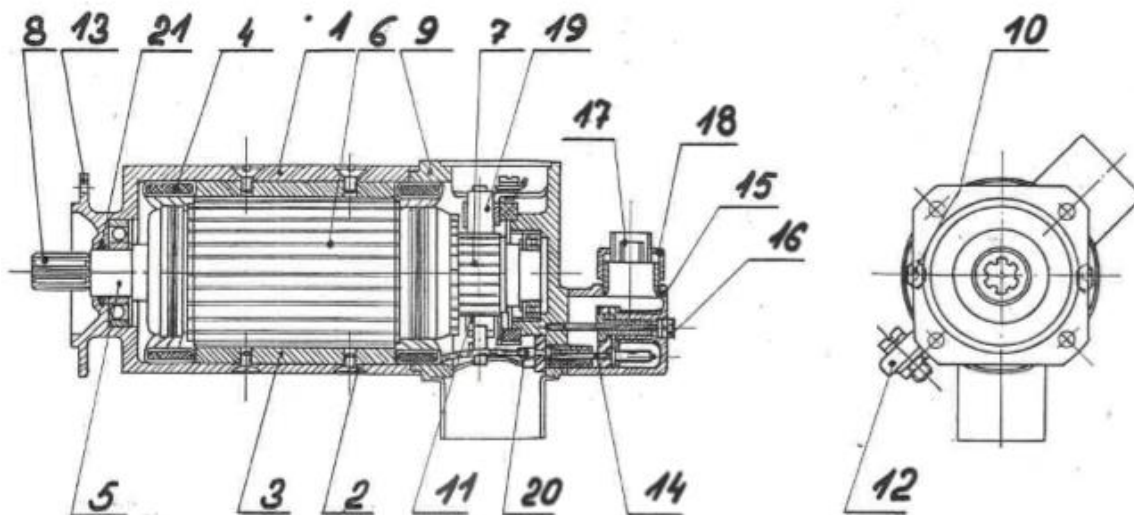
NOMINAL VOLTAGE	28V
OPERATING VOLTAGE RANGE	27,5 ± 1V
NOMINAL CURRENT	26,8 A
NOMINAL OUTPUT	750 W
SPEED RANGE	4 800 - 5 000 min <sup>-1</sup>
FORCED COOLING	30 l/sek
ROTATION FROM DRIVE	ANTICLOCKWISE
DRIVE	BY DUMB-BELL SHAFT
TEMPERATURE RANGE	-40° až + 40 C°
FUNCTION UP TO ELEVATION	5 000 m
WEIGHT	5,7 kg

---

If you are interested in product please send our inquiry to our e-mail: [spd@spd-km.cz](mailto:spd@spd-km.cz)

---

SPARE PARTS LUN 2111.1



Drw.No.	Item name
0400.520	BOLT
2950.110	TORSIONAL SHAFT
4800.350	SPRING OF CARBON
8001.400	STATOR ASSEMBLED
8003.380	ROTOR
8004.570	COMMUTATOR COVER
8404.050	CONNECTION ASSEMBLED
8464.910	COVERING BAND
8474.490	COLLECTING GEAR
8480.670	CARBON
324137050	BALL BEARING E15-P6
324137059	BALL BEARING E20-P6